

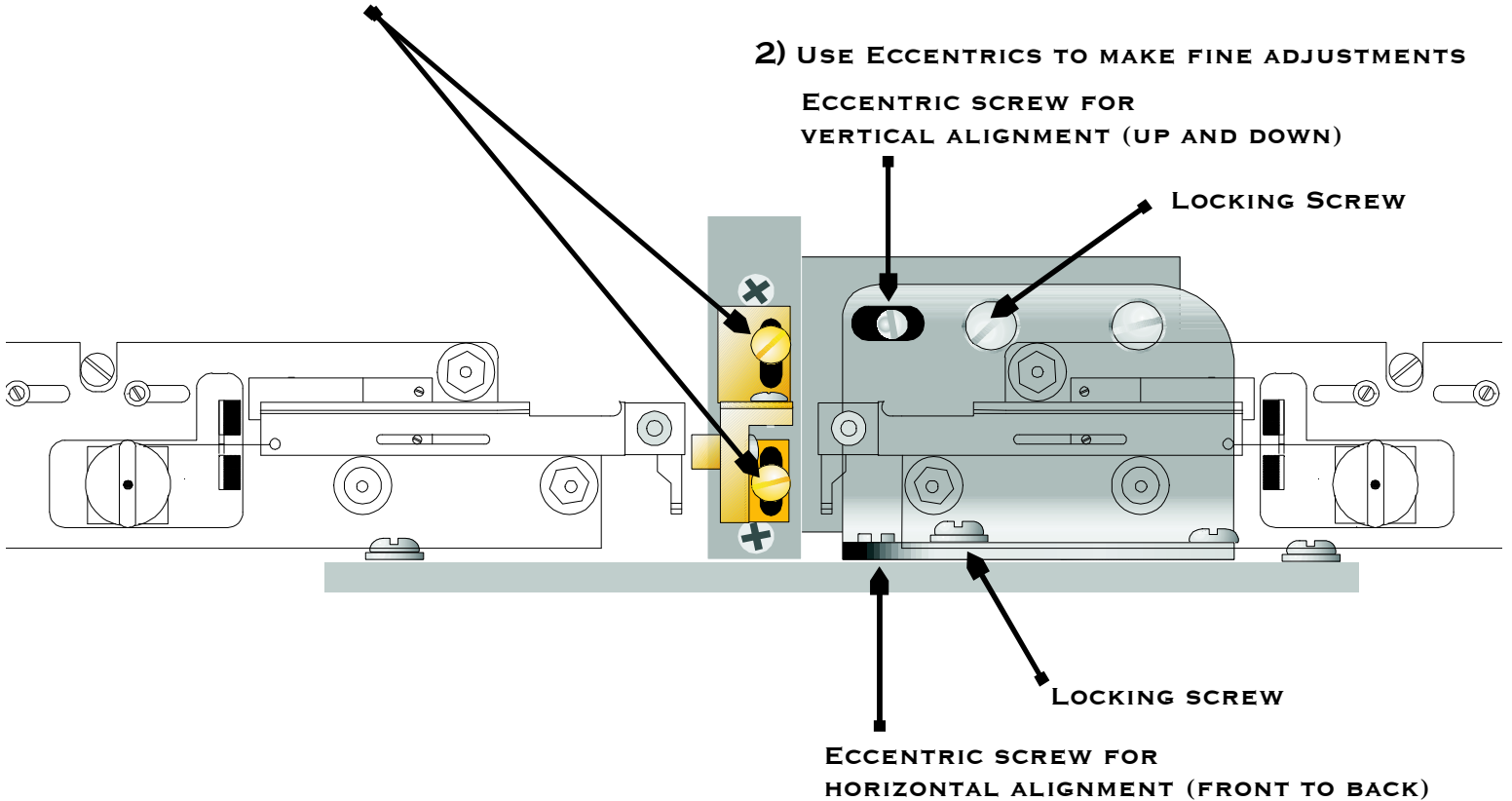
SUTTER INSTRUMENT COMPANY
PULLER BARS & FILAMENT BLOCK ASSEMBLY

**1) LOOSEN BRASS SCREWS TO SLIDE BRASS JAWS
UP OR DOWN TO MAKE GROSS ADJUSTMENTS**

2) USE ECCENTRICS TO MAKE FINE ADJUSTMENTS

**ECCENTRIC SCREW FOR
VERTICAL ALIGNMENT (UP AND DOWN)**

LOCKING SCREW



LOCKING SCREW

**ECCENTRIC SCREW FOR
HORIZONTAL ALIGNMENT (FRONT TO BACK)**

FOR ADDITIONAL ASSISTANCE PLEASE CONTACT TECHNICAL SUPPORT

PHONE: 415-883-0128 FAX: 415-883-0572 EMAIL: INFO@SUTTER.COM