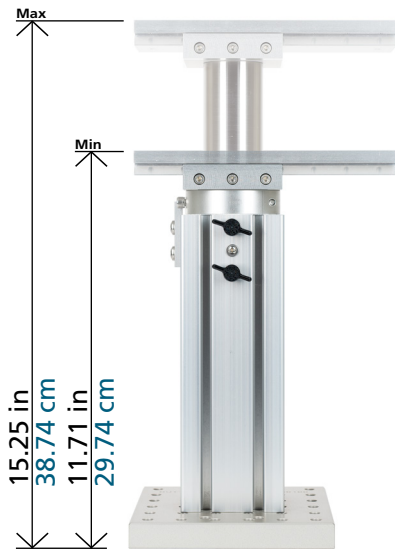




# MT-75 GANTRY STYLE STAND SELECTION GUIDE

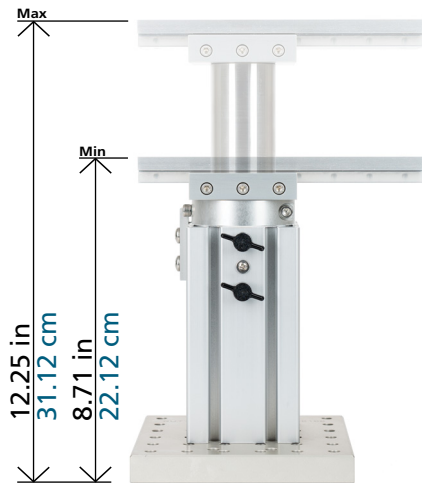
## MT-75T

For use with an inverted microscope. Independent tower solution when not using our MD manipulator or stage platforms.



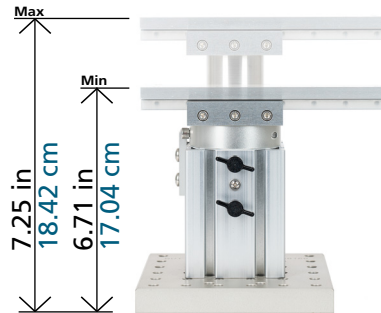
## MT-75

For use with an upright microscope mounted on a translator.



## MT-75S

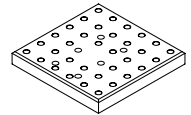
For use with an upright microscope without a translator.



## BASEPLATE OPTIONS

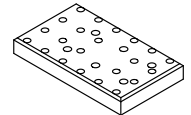
### SQUARE

6 in x 6 in x 0.75 in  
15.2 cm x 15.2 cm x 1.9 cm



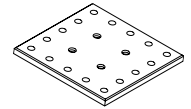
### NARROW

3 in x 5 in x 0.75 in  
7.6 cm x 12.7 cm x 1.9 cm



### THIN

5 in x 5 in x 0.3 in  
12.7 cm x 12.7 cm x 0.76 cm



The MT-75 stands come standard with the square baseplate. The narrow or thin baseplate can be substituted at the time of ordering at no additional charge.

BASEPLATE	MT-75T		MT-75		MT-75S	
	Min	Max	Min	Max	Min	Max
SQUARE OR NARROW	11.71 in 29.74 cm	15.25 in 38.74 cm	8.71 in 22.12 cm	12.25 in 31.12 cm	6.71 in 17.04 cm	7.25 in 18.42 cm
THIN	11.26 in 28.60 cm	14.80 in 37.59 cm	8.26 in 20.98 cm	11.80 in 29.97 cm	6.26 in 15.90 cm	6.80 in 17.27 cm